

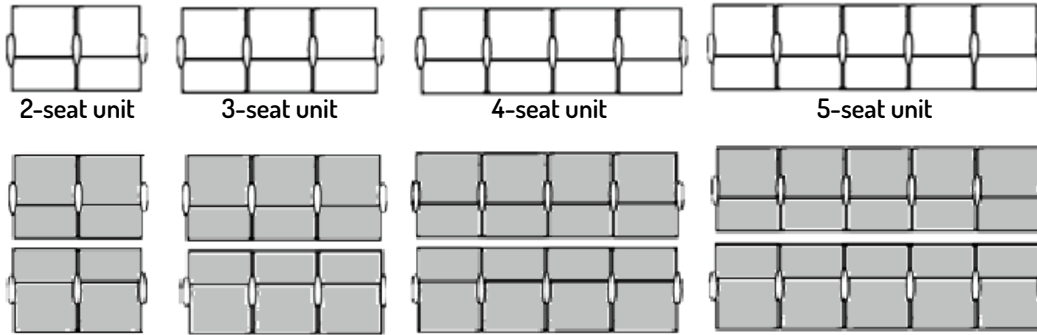


PACIFICA SEATING

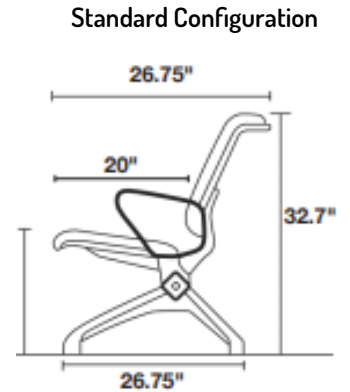


Specifications PACIFICA SEATING

- Seat / Back:** 2.0mm pan, cold-rolled steel, perforated, standard color is metallic silver
- Cushion:** 40mm thick, commercial grade A vinyl, standard color is black
- Arms:** Die-cast aluminum, loop, standard finish is metallic silver
- Legs:** Die-cast aluminum, adjustable glide, standard finish is metallic silver
- Beam:** Cold-rolled steel, diamond shape, standard length is all arms and color is metallic silver
- Finish:** Electro-static powder coating, standard color is metallic silver
- Frame:** Die-cast aluminum brackets, standard finish is metallic silver
- Table:** Perforated steel matches seating, standard color is metallic silver
- Configurations:** Available in 2, 3, 4, and 5-seat units, back-to-back, end-to-end
- Options:** All, end, or no arms, metal color options, vinyl colors (including COM), power charging, tables, floor mounting



Back-to-back Configurations



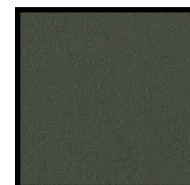
| Inches | No Arms | End Arms | All Arms |
|-------------|---------|----------|----------|
| 2-seat unit | 43.70 | 48.80 | 50.80 |
| 3-seat unit | 65.75 | 70.87 | 74.80 |
| 4-seat unit | 87.80 | 93.00 | 98.80 |
| 5-seat unit | 109.85 | 114.95 | 122.83 |



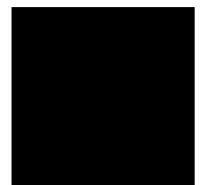
Metallic Silver
Smooth



Gray
Smooth



Metallic Charcoal
Smooth



Black
Smooth



For assistance with power options and layouts contact:
 Tel: +1-901-685-8263 | Fax: +1-901-683-6745
 Toll Free: +1-800-810-4231
 e-mail: sales@airportseatingalliance.com
www.AirportSeatingAlliance.com