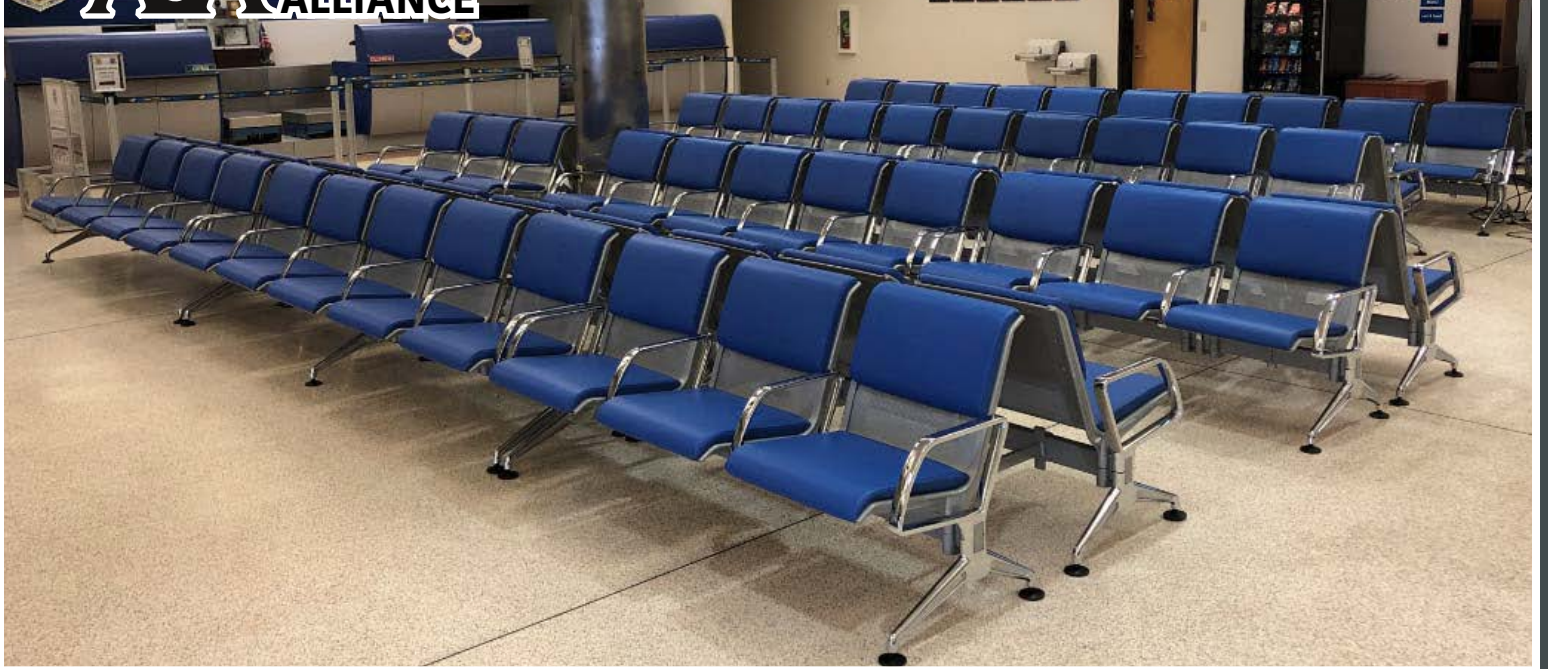




# RIDGEWAY-SEATING



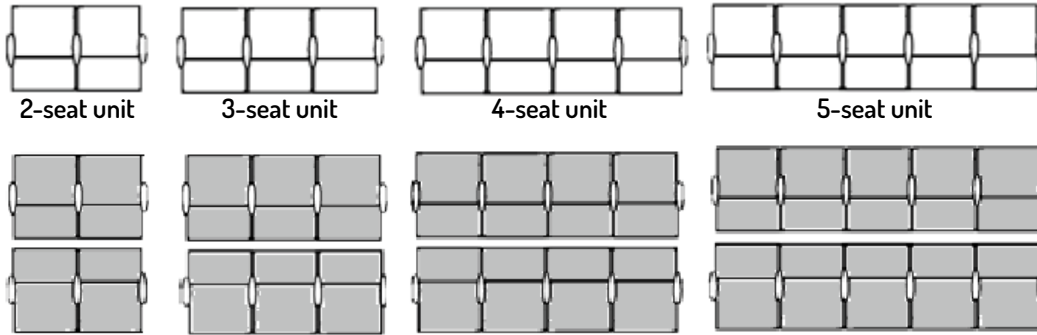
# Specifications RIDGEWAY SEATING

- Seat / Back:** 2.0mm pan, cold-rolled steel, perforated, standard color is metallic silver
- Cushion:** 40mm thick, commercial grade A vinyl, standard color is black
- Arms:** Die-cast aluminum, loop, standard finish is chrome
- Legs:** Die-cast aluminum, non skid glide, standard finish is metallic silver
- Beam:** Cold-rolled steel, rectangle shape, standard length is all arms and color is metallic silver
- Finish:** Electro-static powder coating, standard color is metallic silver
- Frame:** Die-cast aluminum brackets, standard finish is metallic silver
- Table:** High pressure laminate, standard color is black
- Configurations:** Available in 2, 3, 4, and 5-seat units, back-to-back, end-to-end, and cluster
- Options:** All, end, or no arms, metal color options, vinyl colors (including COM), power changing, tables, floor mounting

RECYCLABLE



METAL

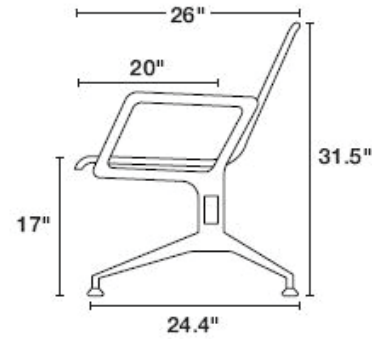


2-seat unit

3-seat unit

4-seat unit

5-seat unit



Standard Profile

Back-to-back Configurations

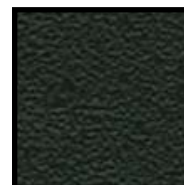
Inches	No Arms	End Arms	All Arms
2-seat unit	49.90	49.90	52.28
3-seat unit	72.50	72.50	77.24
4-seat unit	95.00	95.00	101.00
5-seat unit	117.70	117.70	127.00



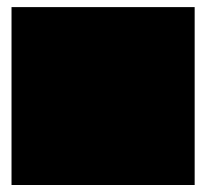
Metallic Silver  
Smooth



Gray  
Textured



Charcoal  
Textured



Black  
Smooth



For assistance with power options and layouts contact:  
 Tel: +1-901-685-8263 | Fax: +1-901-683-6745  
 Toll Free: +1-800-810-4231  
 e-mail: [sales@airportseatingalliance.com](mailto:sales@airportseatingalliance.com)  
[www.AirportSeatingAlliance.com](http://www.AirportSeatingAlliance.com)